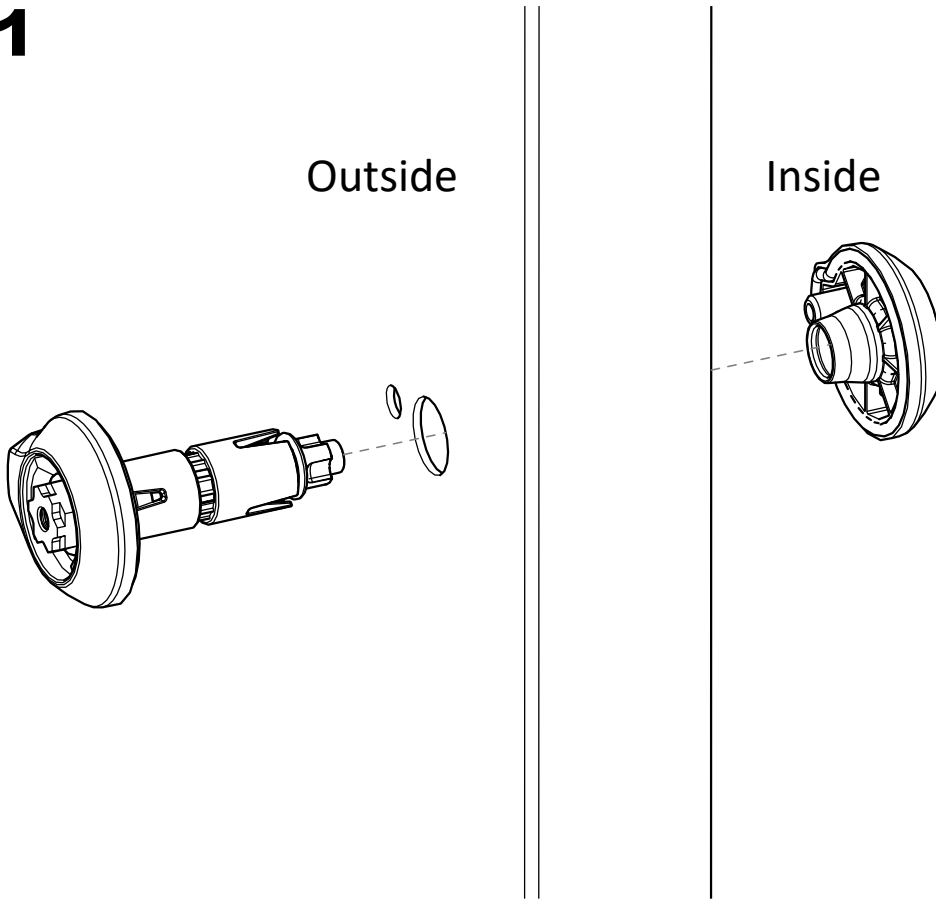
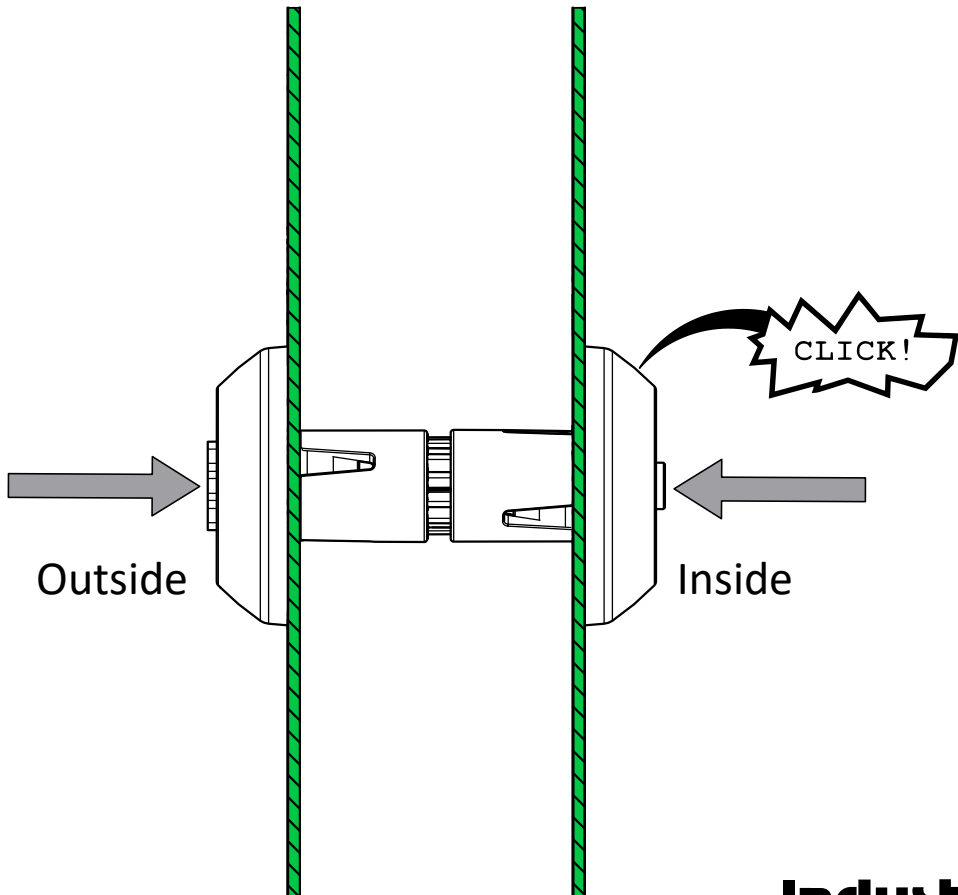


How to mount K2

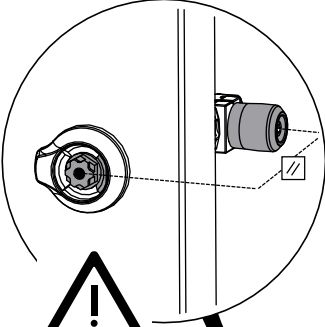
1



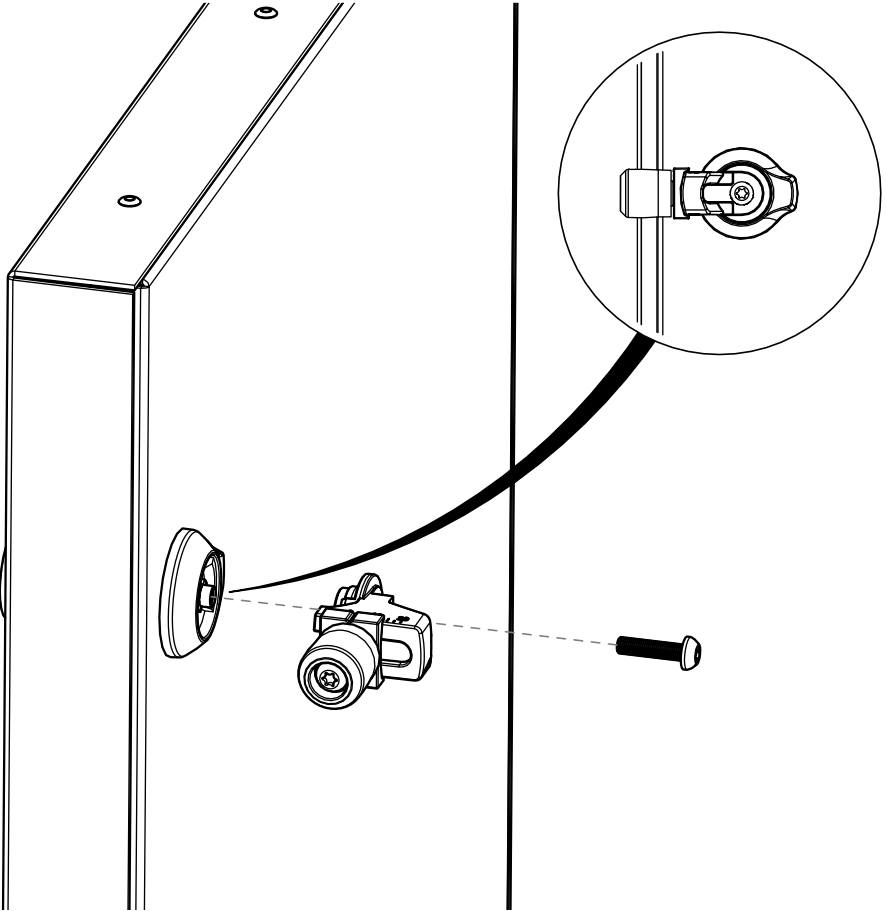
2



3



Note!
90°-limitation and
cam mounts parallel.



4

